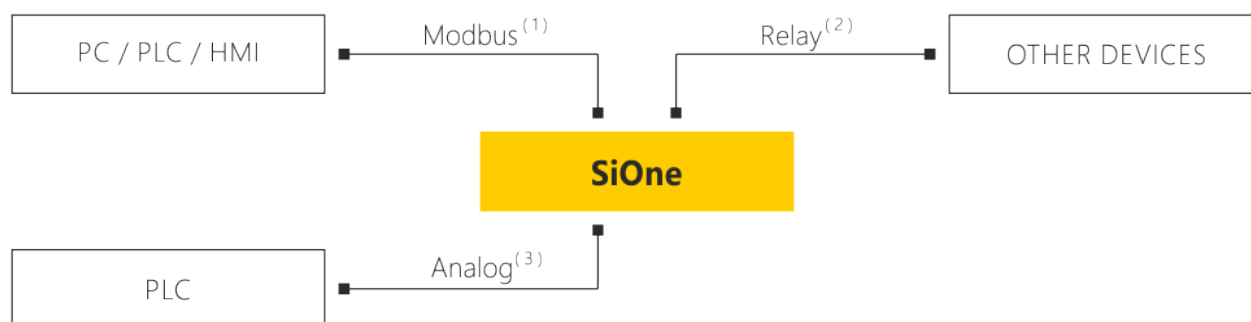




## Si-QNAS0A3

- Powerful Microprocessor
- Functionally Programmable
- Fast Configurations
- Modbus Interface
- Wide range of supply voltage
- Additional options available

SiOne can be humidity, temperature, barometric pressure, differential pressure, carbon dioxide (CO<sub>2</sub>), volatile organic compounds (VOC), particulate matter (PM) and/or Analog signal transmitters (it depends on model). The SiOne line combined with an internal and/or external sensors provide state-of-the-art functionality. Various models are available including wall, duct or remote sensors. SiOne is introducing powerful programming capabilities. Settings of the device can be modified through USB programming unit, PC software or Modbus interface. Modbus RTU baud rate, Modbus RTU address and type of Analog outputs can be fast changed by configuration jumpers.



( 1 ) - RS-485 interface (Modbus RTU) or Industrial Ethernet (Modbus TCP)

( 2 ) - programmable relay output On/Off (option)

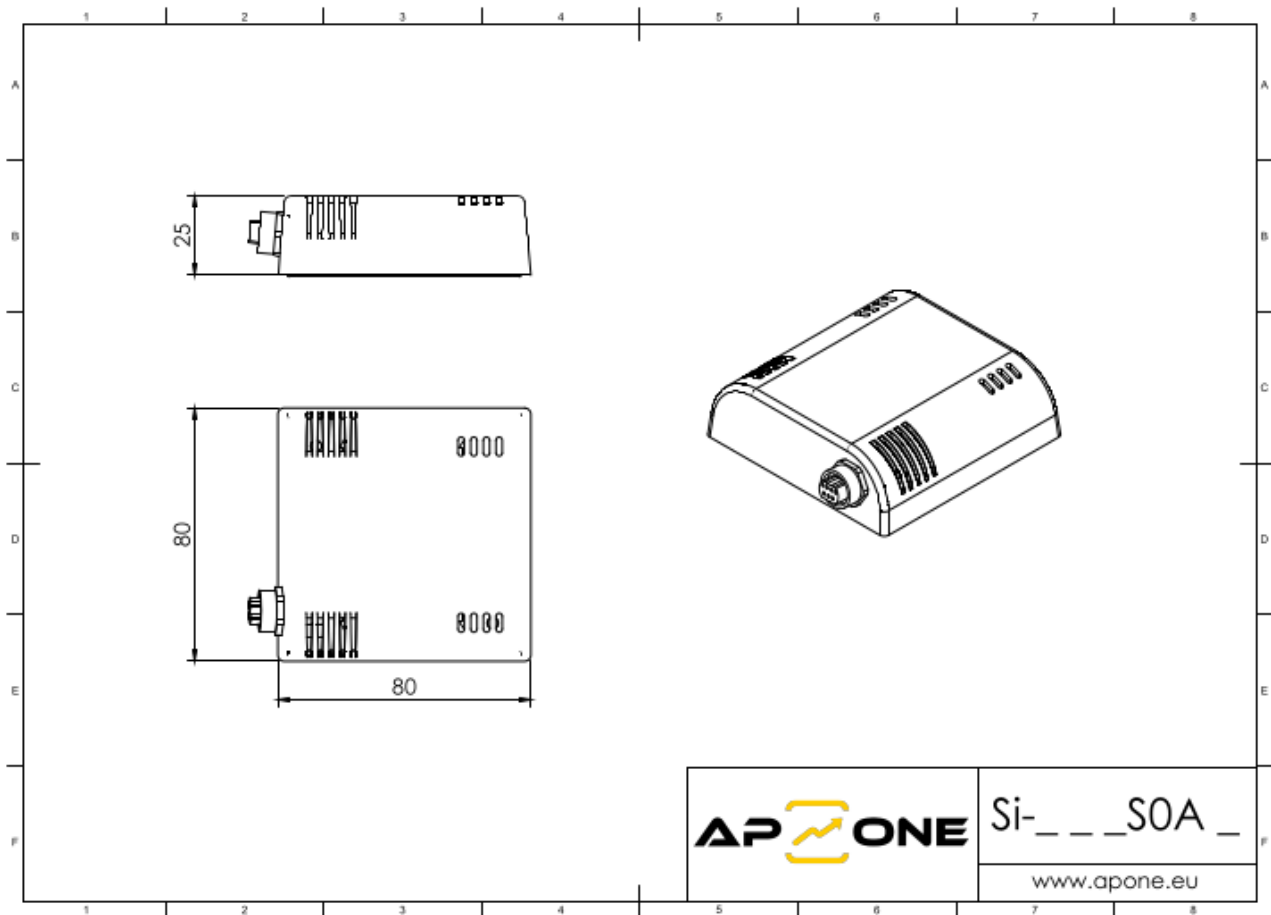
( 3 ) - programmable (up to 3) Analog outputs: 0...5 V, 0...10 V, 0...20 mA or 4...20 mA (option)

SiOne transmitters offers Fieldbus (RS-485 - Modbus RTU) or Industrial Ethernet (Modbus TCP) interfaces. The SiOne line can provide up to three fully programmable and scalable Analog outputs (types of output: 0...5 V, 0...10 V, 0...20 mA or 4...20 mA). Analog output can be modified by configurations jumpers, Modbus interface or USB programming unit. SiOne transmitter with relay output can be used as simple binary sensor (pressostat, hygostat, thermostat, CO<sub>2</sub>-stat, ...). Threshold and hysteresis of output can be also modified by Modbus or



programming unit.

### Technical drawing



All dimension in mm. This drawing is for informational purposes only. The manufacturer reserves the right to make changes in the product dimensions without prior notice.



<b>Kod produktu</b>	Si-QNAS0A3
<b>Typ urządzenia</b>	Transmitter
<b>Mierzone parametry</b>	Barometric pressure, Carbon dioxide (CO <sub>2</sub> ), Humidity, Temperature
<b>Zakres pomiarowy</b>	-100...+200 °C (with Sens-H-... probe), -50...+100 °C (with Sens-H-... probe), 0...100 %RH (with Sens-H-... probe), 1...1000 µg/m <sup>3</sup> , 800...1100 hPa
<b>Dokładność (maks.)</b>	±2 hPa, ±0.1 °C (with Sens-H-... probe), ±0.8 %RH (with Sens-H-... probe), ±30 PPM ±3% (% RD)
<b>Dodatkowe opcje</b>	Psychometric calculations
<b>Typ sensora</b>	Integrated, Interchangeable probe
<b>Filtr sensora</b>	Probe dependent filter
<b>Zasilanie</b>	11.5...32 VDC / 24 VAC ± 5% (...-HV version), 11.5...27 VDC
<b>Interfejs</b>	RS-485 (Modbus RTU)
<b>Wyjścia analogowe</b>	3x
<b>Wyjścia analogowe - typ</b>	0...10 V, 0...20 mA, 0...5 V, 4...20 mA
<b>Wyjścia analogowe - rozdzielczość</b>	12-bit
<b>Wyjścia binarne</b>	-
<b>Wyjścia binarne - parametry</b>	-
<b>Przyłącze elektryczne</b>	Spring connector - 14...20 AWG (2,08...0,516 mm <sup>2</sup> )
<b>Diody serwisowe</b>	2x LED
<b>Wyświetlacz</b>	-
<b>Pamięć - rejestrowane dane</b>	-
<b>Pamięć - typ</b>	-
<b>Pamięć - pojemność</b>	-
<b>Pamięć - częstotliwość zapisu</b>	-
<b>Parametryzacja</b>	Configuration software, DIP-switches, Modbus
<b>Stopień ochrony</b>	IP20
<b>Temperatura pracy</b>	0...+50 °C
<b>Wilgotność pracy</b>	0...95 %RH (WITHOUT CONDENSATION)
<b>Typ obudowy</b>	Wall
<b>Materiał obudowy</b>	ABS
<b>Wymiary obudowy</b>	See: drawing
<b>W komplecie</b>	Manual
<b>Częstotliwość pomiaru</b>	0.25 Hz (CO <sub>2</sub> ), 1 Hz, 1 Hz (atmospheric pressure), 1 Hz (humidity)



## Produkty powiązane



Zasilacz ZAS-12-DIN



Listwa przyłączeniowa CONBLOCK-05



Zasilacz ZAS-12-WT



Zasilacz ZAS-24-DIN



XX-XXXXXXX-LOGO



Konwerter CONV-RS485/USB



Zasilacz ZAS-24-WT



Konwerter CONV-RS485/LAN



Programator CODAP-RS485





Puszka przyłączeniowa CONBOX-05

Producent zastrzega sobie prawo do dokonywania zmian niektórych parametrów w związku z ciągłą pracą nad udoskonalaniem konstrukcji urządzenia, bez powiadamiania o tym jego użytkowników.

